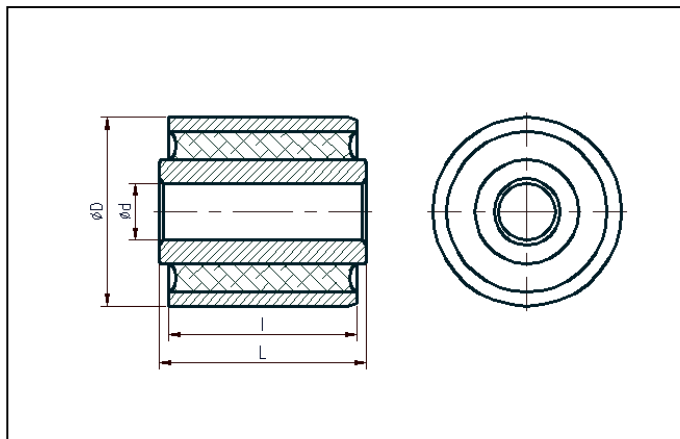


VULCANISED BUSHINGS



BATEGU
Gummittechnologie GmbH & Co KG
1190 Vienna, Muthgasse 22
Austria

T. +43 (1) 368 21 53-0
F. +43 (1) 368 21 53-24
office@bategu.at
www.bategu.at

Application

VIBRAGOM[®] bushings are rubber-metal elements which, unlike conventional rubber spring or oscillating elements, are used where relatively small displacements or angular movements of machine parts rather than the actual spring load need to be controlled with no wear and without the reset forces caused by the deflections playing any significant role. By incorporating an elastic rubber body between the alternating opposing parts that absorbs the movements, a maintenance-free joint can be created that does not run dry and thus prevents the associated increase in bearing clearance of bearings that cannot be properly lubricated due to non-continuous rotating movements.

Design of the VIBRAGROM[®] bushings

The elastomeric material rubber is cured onto the outer and inner sleeve; the block moves softer in radial direction compared to joint blocks with pressed-in rubber. Shifts caused by slippage of the rubber are prevented by the rubber-metal bonding of the outer and inner sleeve. The bushings can also be used as a rotational spring for initial drawing.

Types of loading:



TABLE OF CLEARANCES AND FITS

Outer Sleeve

$\varnothing D$ from - to	10 - 18	18 - 30	30 - 50	50 - 65	65 - 80	80 - 100	100 - 120	120 - 140	140 - 160	160 - 180
Tolerance	s 6									
Allowable Deviation	0,039	0,048	0,059	0,072	0,078	0,093	0,101	0,117	0,125	0,133
	0,028	0,035	0,043	0,053	0,059	0,071	0,079	0,092	0,1	0,108
Tol. for l	+/-0,5									

Inner Sleeve

$\varnothing D$ from - to	3 - 6	6 - 10	10 - 18	18 - 30	30 - 50	50 - 80	80 - 120	120 - 180
Toleranz	H 9					H 8		
Allowable Deviation	0,03	0,036	0,043	0,052	0,062	0,046	0,054	0,063
	0	0	0	0	0	0	0	0
Tol. for L	+/-0,1					+/-0,2		



Dimensions Vulcanised bushings

Inner Ø (d)	Outer Ø (D)	Inside Length (L)	Outside Length (l)	Article ID
8,00	20,00	15,00	10,00	GV 6379
8,00	20,00	17,00	15,00	GV 7336
9,53	22,23	21,59	12,70	GV 7072
10,00	25,00	18,00	15,00	GV 7335
11,20	22,25	46,00	44,45	GV 6429
12,00	30,00	30,00	25,00	GV 7251
12,10	37,00	34,00	30,00	GS 1766
14,00	45,00	40,00	32,00	GV 2012
15,00	54,00	48,00	38,00	GV 2165
16,00	30,00	32,00	32,00	GV 7383
16,00	32,00	54,00	50,00	GV 7445
16,20	40,00	40,00	30,00	GV 6066
17,50	34,70	38,70	35,00	GV 2079
18,00	42,00	85,00	75,00	GV 1999
20,00	45,00	62,00	62,00	GV 3004
22,00	40,00	40,00	32,00	GV 1820
24,00	50,00	70,00	64,00	GV 7402
25,00	50,00	67,00	67,00	GV 3003
25,40	50,00	45,00	40,00	GV 7387
28,00	52,00	44,00	40,00	GV 6052
30,00	65,00	122,00	117,00	GV 6838
35,00	54,00	42,00	45,00	GS 7357
35,00	80,00	60,00	50,00	GV 1693
36,00	56,00	60,00	55,00	GV 7025
36,50	75,00	100,00	90,00	GV 7280a
38,00	62,20	68,00	65,00	GV 6893
38,10	69,85	67,31	66,04	GV 6901
39,00	75,00	100,00	90,00	GV 7280
40,00	66,70	49,00	46,00	GV 6734
40,00	86,00	162,00	150,00	GV 1781
44,00	70,00	50,00	46,00	GV 7197
45,00	76,00	56,00	56,00	GV 6074
45,00	120,00	55,00	50,00	GV 6349
45,00	130,16	63,50	68,25	GV 7358
45,00	110,00	75,00	70,00	GV 1645
50,00	125,00	100,00	100,00	GV 7051
54,00	89,00	69,00	66,00	GV 2007
55,00	104,00	170,00	140,00	GS 7129
60,00	110,00	120,00	110,00	GV 3005
60,00	110,00	22,00	22,00	GV 7257
63,50	104,78	177,80	158,75	GV 7406
65,00	115,00	86,00	80,00	GV 6368
75,00	100,00	28,00	28,00	GV 7371

Technical specifications are subject to errata and mistakes. Changes to product designs remain reserved.

Dimensions

Vulcanised bushings

Inner Ø (d)	Outer Ø (D)	Inside Length (L)	Outside Length (l)	Article ID
100,00	140,00	44,00	42,00	GV 6372
105,00	180,00	57,00	52,00	GV 7372
125,00	192,00	250,00	250,00	GV 7319
146,00	171,50	200,00	194,00	GS 6863

Technical specifications are subject to errata and mistakes. Changes to product designs remain reserved.



SPHERICAL BUSHINGS VULCANISED

Outer Ø (d)	Inner Ø (D)	Inside Length (L)	Outside Length (l)	Article ID
30,00	90,50	74,00	69,00	GS 6180c
30,00	45,00	105,00	35,00	GS 6775
30,00	95,00	76,00	59,00	GS 6860
30,00	90,00	76,00	59,00	GV 6868
35,00	90,50	145,00	85,00	GS 6180a
40,00	90,50	153,00	70,00	GS 6030
40,00	90,00	50,00	38,00	GS 6112
40,00	90,50	136,00	70,00	GS 6180b
40,00	65,00	110,00	45,00	GS 6945
42,00	127,00	198,00	90,00	GS 6305a
44,50	104,83	56,00	48,00	GV 7121
45,00	127,00	104,50	102,00	GV 7240
47,00	127,00	100,00	90,00	GS 6305
55,00	104,83	56,00	48,00	GV 7122
130,00	200,00	135,00	97,00	GV 7163d
150,00	226,00	167,50	136,00	GV 7174a

Technical specifications are subject to errata and mistakes. Changes to product designs remain reserved.